

MIS Instruments



65-4036

DeBakey
Grasper

9" (23.5cm)



65-4008

Curved
Scissors

9" (23.5cm)

BOSS

INSTRUMENTS LTD

CARDIOVASCULAR AND THORACIC SPECIALTY INSTRUMENTS



65-2230T

DeBakey Vascular
Tissue Forcep

6" (15cm)



65-6361

Cooley-Derra
Anastomosis
Clamp

6 1/2" (16.5cm)



65-1591

Coronary
Artery
Scissors

6 3/4" (17cm)



50-1451

Diethrich
Gator-Grip™
Needle Holder

7" (18cm)

Scissors



56-9086
Diethrich Coronary Artery
Scissors 7" (18cm)



65-1220
DeMartel Scissors
7" (18cm)



65-1584
BOSS™ Microvascular Spring
Handle Scissors 7" (18cm)



65-1160
Satinsky Scissors
9 3/4" (25cm)



65-6526
DeBakey Aortic Aneurysm
Clamp 10 1/2" (27cm)



65-6420
DeBakey Multi-Purpose
Peripheral Clamp 7" (18cm)



65-6601
Wirthlin Spleno-Renal Shunt
Clamp 6 1/2" (16.5cm)



65-6123
Cooley Pediatric Clamp
5 1/4" (13.5cm)

Clamps

Needle Holders

65-5602T
Jacobson LighTouch™
Titanium Needle Holder
12" (30.5cm)



50-1442
Castroviejo Gator-Grip™
Needle Holder
8 1/2" (21.5cm)



50-1132
Sternal Needle
Holder
8" (20cm)



65-5095
Ryder FineTouch™
Needle Holder
6 1/4" (15cm)



65-6801
DeBakey Bulldog
Clamp 3 1/4" (8.5cm)



65-7224T
BOSS™ Titanium
Bulldog Clamp 35mm

65-5027
FineTouch™ Tissue
Forcep 6" (15cm)



60-2183
Resano Valve
Grasping Forcep
7" (18cm)



65-5035T
LighTouch™ Tissue
Forcep, Titanium
7 1/2" (19cm)



65-2236
DeBakey Vascular
Tissue Forcep
7 3/4" (20cm)



65-5027

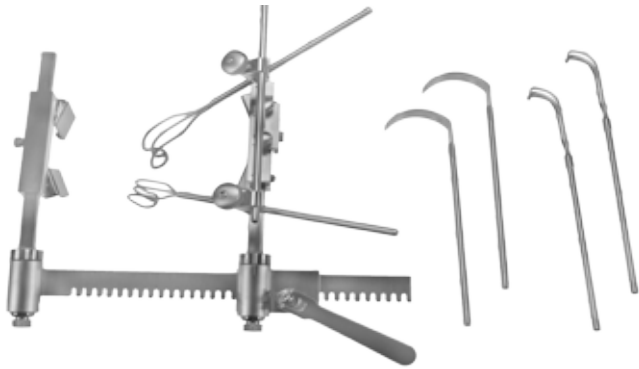
60-2183

65-5035T

65-2236

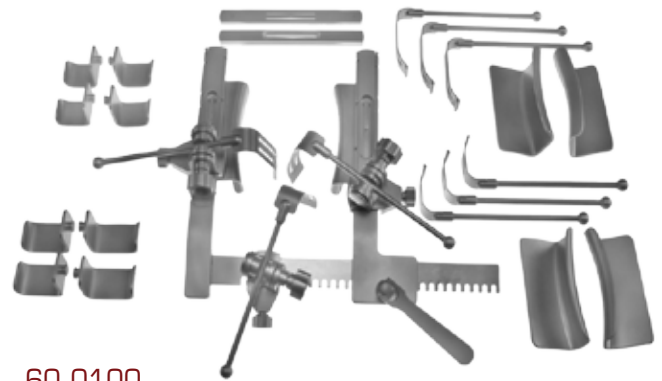
Forceps

I.M.A. / Valve Retractors



60-0140

Chaux Sternal - I.M.A. / Valve Retractor, Complete
Includes: 60-0143 Chaux Retractor,
60-0150 Valve Retractor Set and 60-0146 Blade Assembly



60-0100

Boss Valve Retractor Set

BOSS

INSTRUMENTS LTD

104 Sommerfield Drive
Gordonsville, VA 22942 USA

Toll Free: 800-210-2677
Phone: 540-832-5000
Fax: 540-832-5515

Email: inquiry@bossinst.com
www.bossinst.com

MIS Retractors and Rib Spreaders



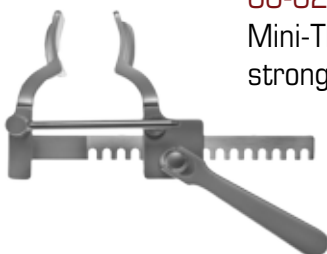
60-0130

Bonchek Modified Carpentier
Type Sternal/Atrial Valve
Retractor



60-1008

Mini-Finocchio
Retractor



60-0210

Mini-Thoracotomy Retractor
strong spreading bar



60-1900

DeBakey Rib Spreader
adult